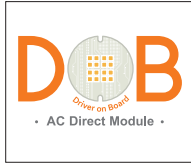


# DFR-56ULF

120V, 220V-230V and 277V

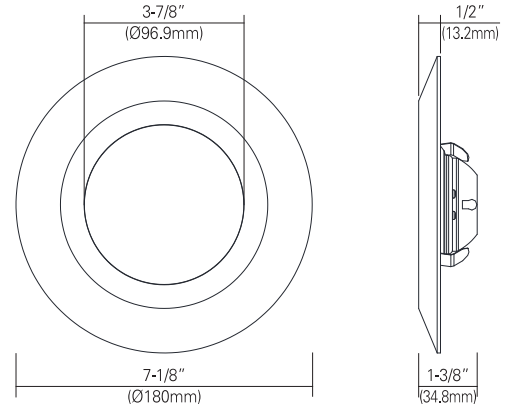
5/6" LED Ultra Low profile Round surface Disk Light



Catalog #		Type
Project		Date
Prepared by		

## LED

**\*ONLY 0.5" HEIGHT**



### DESCRIPTION

DFR-56ULF is designed to be ultra low profile J-Box mounted fixture with the performance and look of traditional downlight. One piece light with Integral spring structure allows easiest installation to 3.5" and 4" Junction boxes. Suitable for residential or commercial application.

### SPECIFICATION

HOUSING	DFR-56ULF	
Wattage (Typ)	15W	
Lumen (Typ)	980(80CRI)	835(90CRI)
Efficacy (LPW)	65 lm/W	55 lm/W
Beam Angle	110°	
CRI (Typical)	80, 90	
Color (+/-5%)	2700K, 3000K, 3500K, 4000K, 5000K	
Dimming	Triac(Consult with factory for approved dimmers)	

### FEATURES and FUNCTIONS

- 120V AC LED module with integrated IC chip imbed on board and 10-100% Triac dimming with most of leading and trailing edge dimmer switches in the market.
- Aluminum fixture to facilitate heat dissipation.
- PC diffused lens delivers perfect light distribution.
- Toolless spring function allows easiest installation to the ceiling.
- 90CRI Standard. Available in 2700K, 3000K, 3500K, 4000K and 5000K.
- Triac dimmable standard.

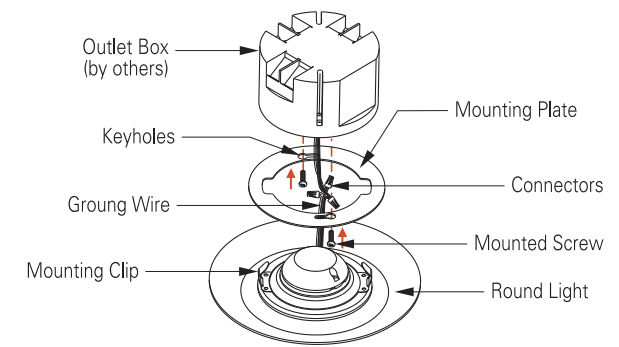
#### Listing

- CSA-us Certified
- Energy star Approved & Listed
- State of California Title 24
- Wet location

#### Warranty

- 5years of lamp life.

#### J-Box Mounting



### ORDERING INFORMATION

Housing	CRI	CCT	Finish
DFR-56ULF 5&6", 15W	8	80	27 2700K
	9	90	30 3000K
			35 3500K
			40 4000K
			50 5000K
			WH White
			BK Black
			BN Brush Nickel
			BZ Bronze

\*Consult with factory for custom finishes

Example : DFR-56ULF-830-WH

-  -