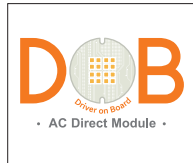


DFR-N

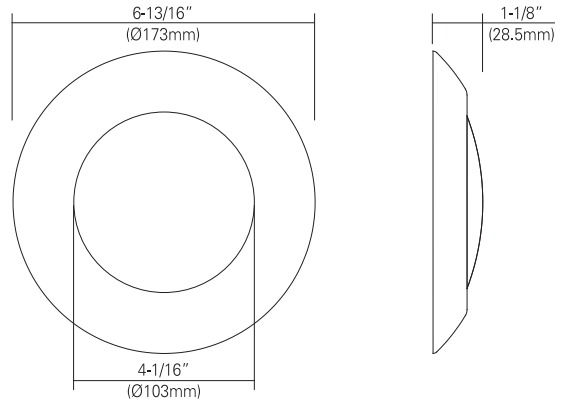
120V, 220V-230V and 277V

6" LED Low profile surface & Recess Disk Light



Catalog #		Type
Project		Date
Prepared by		

LED



DESCRIPTION

DFR-N series accomplish the task of recessed downlight without the time and cost of labor with drywall. It's designed only for use with direct 4" J-Box or allow exiting recessed can to be retrofitted .

SPECIFICATION

HOUSING	DFR-N
Wattage (Typ)	15W
Lumen (Typ)	980(80CRI)
Efficacy (LPW)	65 lm/W
Beam Angle	110°
CRI (Typical)	80, 90
Color (+/-5%)	2700K, 3000K, 3500K, 4000K, 5000K
Dimming	Triac

FEATURES and FUNCTION

- 120V AC LED module with integrated IC chip imbed on board and 10-100% Triac dimming with most of leading and trailing edge dimmer switches in the market.
- Hard gauge metal back plate and the heat sink to facilitate heat dissipation.
- PC diffused lens delivers perfect light distribution.
- 90CRI Standard. Available in 2700K, 3000K, 3500K, 4000K and 5000K.
- Triac dimmable standard.

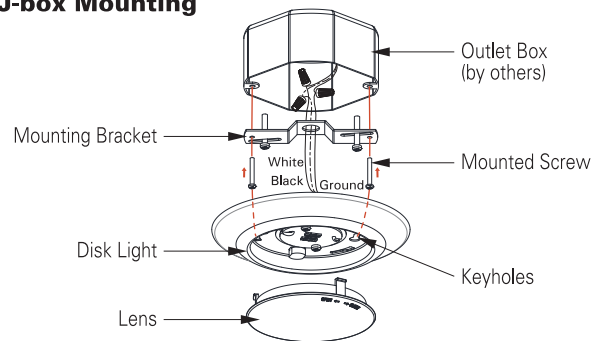
Listing

- CSA-us Certified
- Energy star Approved & Listed
- State of california Title 24
- Wet location

Warranty

- 5years of lamp life.

J-box Mounting



* Consult with factory for approved dimmers

ORDERING INFORMATION

Housing	CRI	CCT	Finish
DFR-N 6", 15W	8	27	WH White
	9	30	BK Black
		35	BN Brush Nickel
		40	BZ Bronze
		50	

* Consult with factory for custom finishes

Example : DFR-N-930-WH

- -