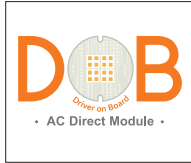


DFR56-EM

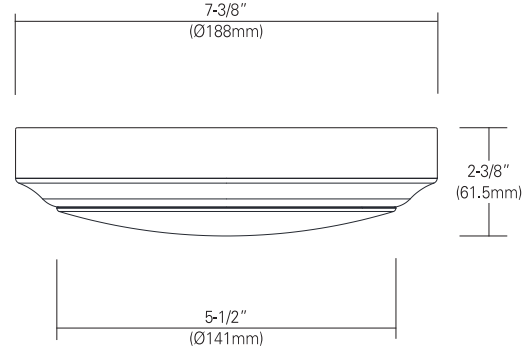
120V, 220V-230V and 277V

7.4" LED Low Profile Round Surface & Recessed Disk Light with Emergency Back-up ready



Catalog #		Type
Project		Date
Prepared by		

7.4" LED Emergency



EMERGENCY	MAINTAINED
Battery	11.1V / 2.6Ah Ni-MH Re-chargeable
Emergency Output	20% Nominal Power
Emergency Duration	> 3 Hours
Charge Time	< 24 Hours
LED Indication	Red - Charging Green - Full Charged Yellow - Faulty
Test Button	4W - ITS

SPECIFICATION	
HOUSING	DFR56-EM
Wattage (Typ)	15W
Lumen (Typ)	980(80CRI) 850(90CRI)
Efficacy (LPW)	65 lm/W 57 lm/W
Beam Angle	110°
CRI (Typical)	80, 90
Color (+/-5%)	2700K, 3000K, 3500K, 4000K, 5000K
Dimming	Triac(Consult with factory for approved dimmers)

FEATURES and FUNCTIONS

- 120V AC LED module with integrated IC chip imbed on board and 10-100% Triac dimming with most of leading and trailing edge dimmer switches in the market.
- Hard gauge metal back plate and the heat sink to facilitate heat dissipation.
- One piece emergency battery back-up kit with the light module allowing to ceiling Junction box mounting.
- PC diffused lens delivers perfect light distribution.
- 90CRI Standard. Available in 2700K, 3000K, 3500K, 4000K and 5000K.
- Triac dimmable standard.

Listing

- CSA-us Certificated
- Energy star Approved & Listed
- State of california Title 24
- Wet location

Warranty

- 5years of lamp life.

ORDERING INFORMATION

Housing	CRI	CCT	Finish
DFR56-EM 7.4", 15W	8 80	27 2700K	WH White
	9 90	30 3000K	BK Black
		35 3500K	BN Brush Nickel
		40 4000K	BZ Bronze
		50 5000K	

*Consult with factory for custom finishes

Example : DFR56-EM-930-WH

 -
 -

J-Box Mounting

