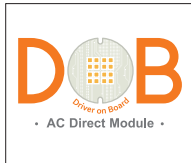


DFR56-MOS

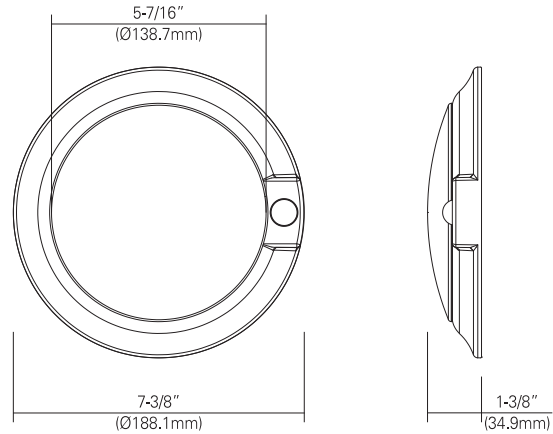
120V, 220V-230V and 277V

5/6" LED Low Profile Round Surface & Recessed Disk Light with PIR Motion Sensor



Catalog #		Type
Project		Date
Prepared by		

6" LED



DESCRIPTION

Automatically turns on when detecting movement and turns off after 30 seconds if no motion is detected (this length of time can be adjusted). It's designed to either use a direct 4" J-Box or allow exiting recessed can to be retrofitted.

SPECIFICATION

HOUSING	DFR56-MOS	
Wattage (Typ)	15W	
Lumen (Typ)	980(80CRI)	870(90CRI)
Efficacy (LPW)	65 lm/W	58 lm/W
Beam Angle	110°	
CRI (Typical)	80, 90	
Color (+/-5%)	2700K, 3000K, 3500K, 4000K, 5000K	
Dimming	Non-dimming	

FEATURES and FUNCTIONS

- When motion is detected, it automatically turns lights ON and turns Off after 30 seconds when the room is vacated (default setting).
- Precision Fresnel Lens minimizes signal interference.
- Rugged, high impact PC lens and white powder coat, diecast aluminum housing.
- The light features a 15W LED module, making it the energy efficient alternative to incandescent and CFL fixture.
- It is easy to install with keyholes onto most 4" J-box styles.

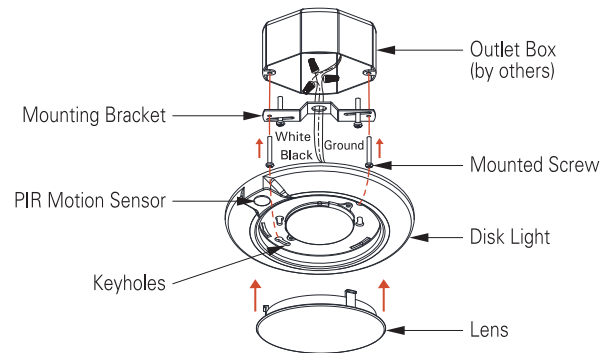
Listing

- CSA-us Certified
- Energy star Approved & Listed
- State of California Title 24
- Wet location

Warranty

- 5years of lamp life.

J-Box Mounting



ORDERING INFORMATION

Housing	CRI	CCT	Finish	Optional Kit for Recess Mount
DFR56-MOS 5&6", 15W	8 80 9 90	27 2700K 30 3000K 35 3500K 40 4000K 50 5000K	WH White BK Black BN Brush Nickel BZ Bronze	5,6MTL DFR56 kit for 5/6" Recess cans

Example : DFR56-MOS-930-WH

- -