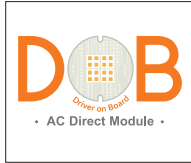


DFR9

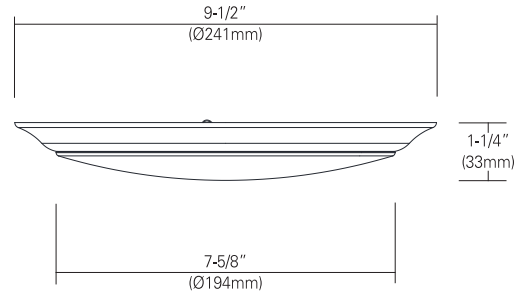
120V, 220V-230V and 277V

9" LED Low Profile Round Surface & Recessed Disk Light



Catalog #		Type
Project		Date
Prepared by		

9" LED



DESCRIPTION

DFR series accomplish the task of recessed downlight without the time and cost of labor with drywall. It's designed to either use a direct 4" J-Box or allow exiting recessed can to be retrofitted.

SPECIFICATION

HOUSING	DFR9-16	DFR9-30
Wattage (Typ)	16W	30W
Lumen (Typ)	1,200(90CRI)	1,800(90CRI)
Efficacy (LPW)	75 lm/W	60 lm/W
Beam Angle	110°	
CRI (Typical)	80, 90	
Color (+/-5%)	2700K, 3000K, 3500K, 4000K, 5000K	
Dimming	Triac(Consult with factory for approved dimmers)	

FEATURES and FUNCTIONS

- 120V AC LED module with integrated IC chip imbed on board and 10-100% Triac dimming with most of leading and trailing edge dimmer switches in the market.
- Hard gauge metal back plate and the heat sink to facilitate heat dissipation.
- PC diffused lens delivers perfect light distribution.
- 90CRI Standard. Available in 2700K, 3000K, 3500K, 4000K and 5000K.
- Triac dimmable standard.

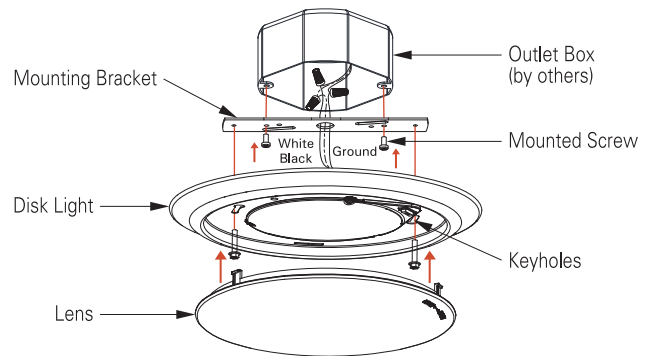
Listing

- CSA-us Certificated
- Energy star Approved & Listed
- State of california Title 24
- Wet location

Warranty

- 5years of lamp life.

J-Box Mounting



ORDERING INFORMATION

Housing	CRI	CCT	Finish
DFR9-16 9", 16W	8 80	27 2700K	WH White
DFR9-30 9", 30W	9 90	30 3000K	BK Black
		35 3500K	BN Brush Nickel
		40 4000K	BZ Bronze
		50 5000K	

*Consult with factory for custom finishes

Example : DFR9-16-930-WH

- -