

High Watt Commercial

DLED-186H

8" NON-IC, Architectural Frame-in Kit

Max. 84W LED, 120V-277V Input



Catalog #		Type
Project		Date
Prepared by		

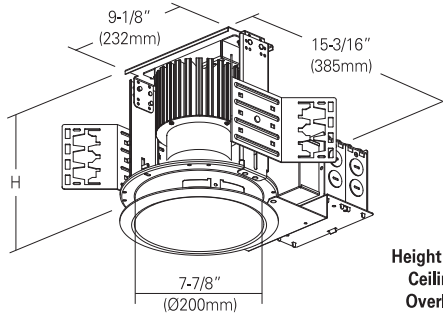
8" LED Architectural Frame-in Kit



 TML-189RLS Open Reflector	 TML-180BLS Baffle w/ Reflector	 TML-186BLS Baffle w/ Regressed Lens
 TML-186RLS Reflector w/ Regressed Lens	 TML-181LS Wall Wash w/ Kick-off Plate	 TML-188LS Reflector w/ Frosted Floating Lens

* All trims are rated for damp location, and regressed lens trims are for wet location listed.
* Wide beam reflector is standard. Also available in other beam in reflector.(consult with factory)

LINE DRAWING



Height : 10-5/16" (variable)
Ceiling Cut-out : 8-1/8"
Overlap Trim : 8-11/16"

DESCRIPTION

8" Architectural frame-in kits combined with LED module and integral reflector. This is designed for use in non-insulated ceiling. Insulation material must be kept a minimum of 3" from fixture. Provided in high efficacy LED with dimmable driver and the special optical diffusion allows high lumen transmission and light uniformity.

Listing

- cUL Listed
- Energy star Approved & Listed
- State of California Title 24

Warranty

- 5 years of lamp life.

SPECIFICATION

LED Quantity	1EA (COB)			
Input Voltage	120V-277V AC *(80Ra / 4000K)			
Wattage (Typ)	50 W	63 W	75 W	84 W
Lumen (Typ)	4,500	5,670	6,750	7,560
Efficacy (LPW)	90 lm/W	90 lm/W	90 lm/W	90 lm/W
Beam Angle	55°			
CRI (Typical)	80, 90			
Color (+/-5%)	2700K, 3000K, 4000K, 5000K			
Dimming	Triac & 0-10V the both(Consult with factory for approved dimmers)			

FEATURES and FUNCTIONS

- Galvanized steel construction.
- 20-gauge CRS mounting ring, black-painted. 1-5/8" deep collar may use for various thickness of ceiling materials.
- Aluminum extruded Heat sink designed to facilitate heat dissipation
- Heavy gauge aluminum reflector anodized in clear, haze, gold, champagne and pewter color finish.
- (5)1/2" knockouts with true pry-out slots and (4) knockouts with Romex cable clamp.
- Commercial mounting kit provided up to 5" vertical adjustment, which accommodates 1/2" EMT conduit, optional HB-24 or HBC-24 bar hanger or lathing channels for T-bar grid or concealed spline ceiling.
- 120V~277V 60Hz Triac and 0-10V dimmable driver for most dimmers in the market.

ORDERING INFORMATION

Housing	Watts	CRI	CCT	Beam Angle	Driver	Trim	Reflector Finish	Baffle Finish	Optional Metal Trim Ring Finish									
DLED-186H 8", Non-IC, Architectural Frame-in Downlight Kit	50	50W	8	80	27	2700K	N	Narrow	UTD	120V, Triac Dimming (Standard)	TML-189RLS	HC	Haze Clear	WH	White	WH	White	
	63	63W	9	90	30	3000K	M	Medium	UZTD	120~277V, 0-10V Dimming	TML-180BLS	WH	White	BK	Black	BK	Black	
	75	75W			40	4000K	W	Wide			TML-186BLS							
	84	84W			50	5000K	WW	Wide+			TML-186RLS							
								TML-181LS										
											TML-188LS							

*Option - EM=Emergency battery backup

*Consult with factory for custom finishes

Example : DLED-186H-50-830-W-UTD

[] - [] - [] - [] - []

Example : TML-189RLS-HC-WH

[] - [] - []