

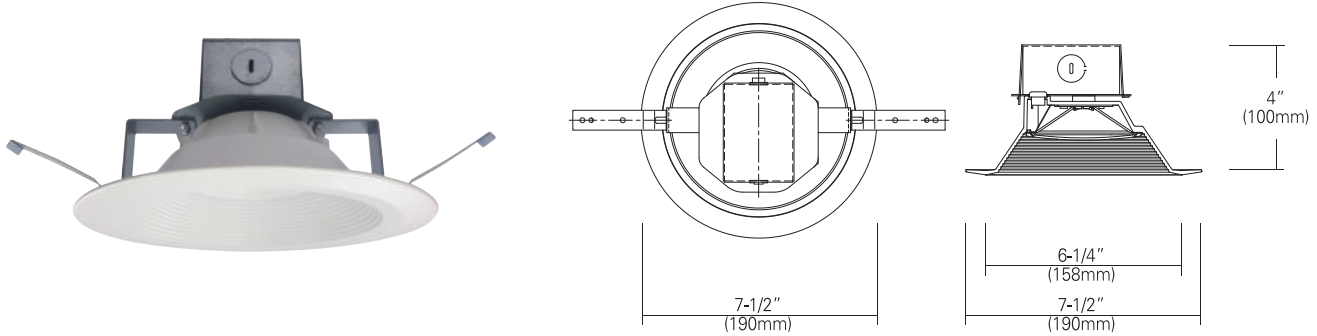


# ICED-7116-DOB (120V and 220V-230V)

6" Line Voltage LED Recessed Housing with Baffle Trim  
IC type New Construction or Remodel Application

Catalog #		Type
Project		Date
Prepared by		

6" LED



## DESCRIPTION

Ceiling Cut-out : 6-1/2"

6" aperture promotional LED housing with 120V, 13.5W AC LED Module, integral triac dimmable by most of leading and trailing edge dimmer switches in the market. The ICED-7116 is designed for use in new construction or remodel applications with insulated ceilings. Thermally protected, Suitable for wet location.

## DESIGN FEATURES

### LED Module&Trim

- Durable die-casting aluminum heat sink with intergrated trim in one-piece.
- Module construction includes LED, heat sink, lens, baffle trim.
- (2)mounting chips on trim module for use of remodeling version.
- White paint finish standard. Available in black baffle with white flange.

### Lens

- Impact-resistant plastic.
- High lumen transmission and diffusing for even illumination.
- Sealed for wet location to use in shower room.

### Mounting Frame (Optional)

- Plaster frame (7-1/8" x 7-1/8") for new construction.
- HB-6 bar hangers are option to use of new construction.

### Electrical connection;

- J-box: - Installed on the top of fixture with (1)3/4" knockout.
  - Listed for through branch circuit wiring. (max. 8 No. 12 AWG 90°C Conductions.)
  - Ground wire provided.
- 120V LED Power Supply on-bed with customized IC chip.
- 10-100% triac dimmable for most of leading and trailing edge Triac dimmer switches in the market.
- Driving circuit to prevent inrush current hurting switch and module.
- Recommended for use max. 45 fixtures per run of a dimmer switch 600W loaded and max. 23 fixtures per a dimmer switch 300W loaded.

### Packing

- 12 individual color box in master carton.

### Warranty

- 5years of lamp life.

### Listing

- ETL Listed.
- State of california Title 24.
- Energy star Approved & Listed.



### Accessories



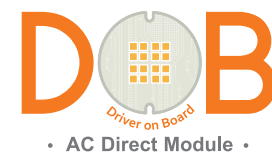
- Hanger bars for use with housing plate in new construction applications

SPECIFICATION	
Input Voltage	120V, 220V-230V AC
Wattage (+/-5%)	13.5W
Lumen (+/-5%)	830lm
Efficacy (LPW)	60lm/W
Beam Angle	100°
CRI (Typical)	80, 90
Color (+/-5%)	2700K, 3000K, 4000K
Dimming	Triac
Lamp Life	5 yrs.
Environment	Wet location

### 120V Approved Dimmers

- \* Lutron: Skylark S-600
  - : MRF2-6DN-120
  - : MACL-153M
  - : DVLV-600P
  - : SELV-300P
  - : CTCL-153P
  - : DVELV-303P
  - : DVCL-153P
- \* Leviton: D600R, Acenti: Ate06, Trimatron #705W
- \* Cooper Devine incandescent dimmer 600W
- \* Pass&seymour harmony incandescent 600W

Consult tech. service or factory for additional dimmers



• AC Direct Module •