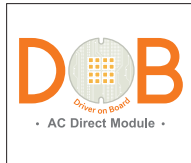


JD04(P)

120V, 220V-230V and 277V

4" LED Recessed Downlight with Interchangeable Trims



Catalog #		Type
Project		Date
Prepared by		

4" LED



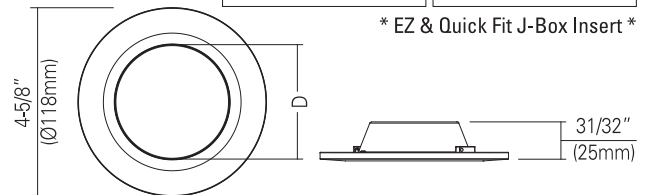
JD04



JD04P



* EZ & Quick Fit J-Box Insert *



Dimension Table

Housing	[JD04]	[JD04P]
Diffuser Diameter (D)	2-7/8" (Ø72mm)	2-1/4" (Ø56mm)

DESCRIPTION

JD04 series is one piece LED light module kit with detachable trim ring in round and square, which allows easier installation to fit 4in Octagonal J-Box directly. Also optionally available in two shade sizes for standard and pinhole suited for focal beam spread. Ideal for any residential and commercial downlight solution.

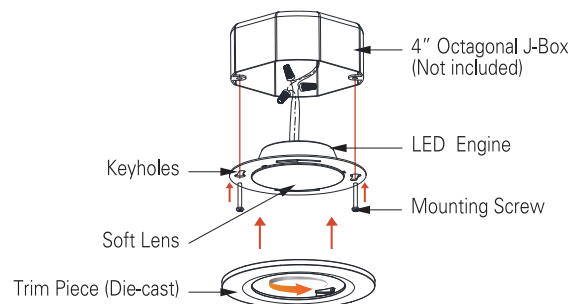
SPECIFICATION

Input Voltage	120V and 277V AC
Wattage (Typ)	10.5W
Lumen (Typ)	650 / 800 (90CRI)
Efficacy (LPW)	62 lm/W / 76 lm/W
Beam Angle	110°
CRI (Typical)	80, 90
Color (+/-5%)	2700K, 3000K, 3500K, 4000K
Dimming	Triac(Consult with factory for approved dimmers)

FEATURES and FUNCTIONS

- 120V AC LED module with integrated IC chip imbed on board and 10-100% Triac dimming with most of leading and trailing edge dimmer switches in the market.
- Ceiling j-box installation.(Not provided)
- One engine allows multiple trim options in round, square and decorative lens.
- Triac dimmable standard.

J-Box Mounting



Listing

- CSA-us Certificated
- Energy star Approved & Listed

- State of california Title 24
- Wet location

Warranty

- 5years of lamp life.

ORDERING INFORMATION

Housing	Trim	CRI	CCT	Trim Ring Finish
JD04 4", 10.5W	R Round	8 80	27 2700K	WH White
JD04P 4" Pinhole, 10.5W	S Square	9 90	30 3000K	BK Black
			35 3500K	
			40 4000K	

*Consult with factory for custom finishes

Example : JD04-R-930-WH

- - -