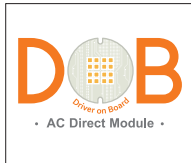


LFK6

6" NON-IC, Architectural LED Retrofit Downlight
15W, 20W, 30W & 40W LED, 120V ~ 277V Input



Catalog #		Type
Project		Date
Prepared by		

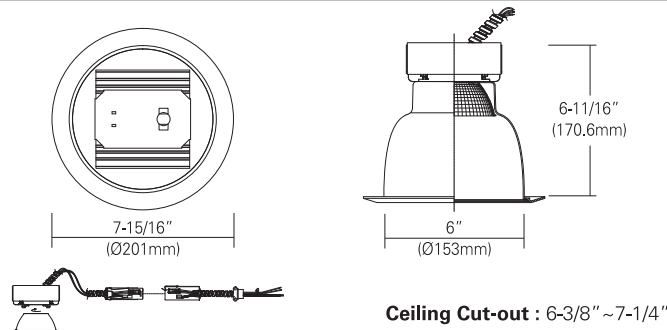


6" Architectural LED

 TML-169RD Open Reflector	 TML-160BD Baffle w/ Reflector	 TML-166BD Baffle w/ Regressed Lens
 TML-166RD Reflector w/ Regressed Lens	 TML-161D Wall Wash w/ Kick-off Plate	 TML-168D Reflector w/ Frosted Floating Lens

* All trims are rated for damp location, and regressed lens trims are for wet location listed.
* Wide beam reflector is standard. Also available in other beam in reflector.(consult with factory)

LINE DRAWING



SPECIFICATION

LED Quantity	1EA			
Input Voltage	120V ~ 277V AC			
Wattage (Typ)	15 W	20 W	30 W	40 W
Lumen (Typ)	1,200	1,600	2,400	3,200
Efficacy (LPW)	80 lm/W	80 lm/W	80 lm/W	80 lm/W
Beam Angle	20° / 40° / 70°			
C R I (Typical)	80, 90			
Color (+/-5%)	2700K, 3000K, 4000K, 5000K			
Dimming	Triac & 0-10V the both(Consult with factory for approved dimmers)			

DESCRIPTION

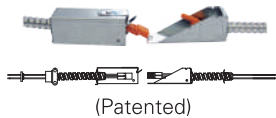
The 6" Architectural grade LED Recessed Downlight Retrofit Trim Module with Clear Cone reflector. Designed for use with existing Ilung 6" Architectural Incandescent, Fluorescent and Metal Halide Housing. Also, compatible with most 6" architectural housings measuring at least 5-5/8" high, with aperture between 6-3/8" ~ 7-1/4" (See Housing Compatibility section).

FEATURES and FUNCTIONS

- Heavy gauge aluminum reflector anodized in clear, haze, gold, champagne and pewter color finish.
- Aluminum extruded Heat sink designed to facilitate heat dissipation.
- Designed for use with most existing 6-3/8" ~ 7-1/4" aperture architectural incandescent, fluorescent and metal halide housings.
- Beam optic changeable with easy twist-on lock.
- Easy-quick metal connector case supplied allowing easy and sturdier wire connector. (USA patented)
- 120~277V AC LED module with perfect dimming of Triac and 0-10V on one module.

Provided

- Easy-quick connector case.
- Optional quick fit J-box.



Listing

- CSA-us Certified
- Energy star Approved & Listed
- State of California Title 24
- Damp location

Warranty

- 5 years of lamp life.

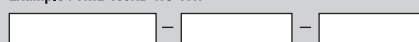
ORDERING INFORMATION

Housing	Watts	CRI	CCT	Beam Angle	Trim	Reflector Finish	Baffle Finish	Optional Metal Trim Ring Finish
LFK6 6" Non-IC, Architectural LED Retrofit downlight with AC direct DOB	15 15W	8 80	27 2700K	N Narrow	TML-169RD	HC Haze Clear	WH White	WH White
	20 20W	9 90	30 3000K	M Medium	TML-160BD	WH White	BK Black	BK Black
	30 30W		40 4000K	W Wide	TML-166BD			
	40 40W		50 5000K		TML-166RD TML-161D TML-168D			
*Option - EM=Emergency battery backup					*Consult with factory for custom finishes			

Example : LFK6-20-830-W



Example : TML-169RD-HC-WH



FRK & LFK and SFK 4, 6, 8, 9 Architectural LED

120V&277V AC, Non-IC LED Retrofit-Kit

Architectural LED

APPROVED DIMMER

Triac Approved Dimmers

- **Lutron** : Skylark - SLV Series, SCL Series, Contour Series,
Homeworks - RPM-4U*, QS HQRD-6ND Series, QS HQRD-10ND Series
Diva - DVCL Series, DVLV Series*, Nova T NT Series
Glyder GLV Series, Ariadni AYCL Series, RadioRA 2 10ND Series
Maestro Wireless MRF 2-6ND Series
- **Lutron** : Skylark SELV Series*, Homeworks QS HQRD-6NA*,
Maestro - MAELV Series*, MRF 2-6ELV Series*
Diva DVELV Series*, Nova T ☆ NTELV Series*,
RadioRA RRD-6NA Series*
- **Leviton** : SureSlide 6633*

0-10V Approved Dimmers

- **Lutron** : Nova® 0-10V : NTFTV
Diva® 0-10V : DVTV
- **Leviton** : Decora 0-10V : IP710DL

*Consult tech. service or factory for additional dimmers.

HOUSING COMPATIBILITY

FRK & LFK and SFK Series ETL Listed for installation in the following Ilsung standard architectural housings

4"	DLF-466, DLF-146(R), DLF-416(R), DLF-426, DL-4200A, DL-1420(R)A, DL-4200H, DL-1420(R)H
6"	DLF-666, DLF-166(R), DLF-616(R), DLF-626, DL-6200A, DL-1620(R)A, DL-6235A, DL-1635(R)A, DL-6200H, DL-1620(R)H, DL-6235H, DL-1635(R)H
8"	DLF-866, DLF-186(R), DLF-816(R), DLF-826, DL-8200A, DL-1820(R)A, DL-8235A, DL-1835(R)A, DL-8200H, DL-1820(R)H, DL-8235H, DL-1835(R)H
9"	DLF-966, DLF-196(R), DLF-916(R), DLF-926, DL-9200A, DL-1920(R)A, DL-9235A, DL-1935(R)A, DL-9200H, DL-1920(R)H, DL-9235H, DL-1935(R)H

FRK & LFK and SFK Series ETL Classified for retrofit in the following 6", 8" architectural housings

6"	<ul style="list-style-type: none"> • Halo : PD6V142E, PD6V120, PD6V501E, PD6V701E, PD6V1001E • Juno : CV6-118T, CV6-126Q, CV6-126/32T, TC906, MX6-(50,70,100), M6-(70,100) • Lithonia : LP6F, CCR62, LP6H, LP6, LV
8"	<ul style="list-style-type: none"> • Halo : PD7V142E, PD7V120, PD7V501E, PD7V701E, PD7V1001E, PD7V70X1E, PD7V10X1E • Juno : CV8-126 / 32 / 42T, TC908, MX8-(70,100), M8-(70,100) • Lithonia : LP8F, CCR82, LP8H, LP8