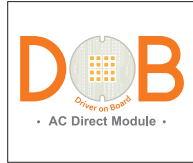


LS04-DC

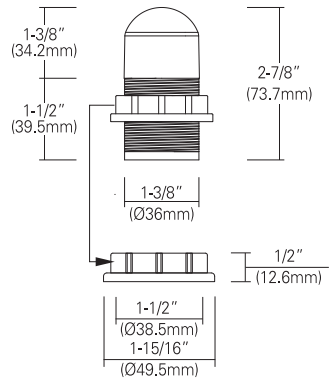
120V and 220V-230V, Triac Dimmable

Lamp Socket

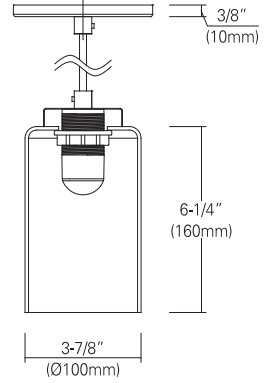


Catalog #		Type
Project		Date
Prepared by		

Lamp n Socket



[E27 RING]



[Lamp Shade Assembly]

DESCRIPTION

One piece LED lamp on socket with outer threaded ring to lock on any kind of lamp shades and diffusers. Patented AC LED Module driving by unique IC on board with 10W power delivering 800 lumens by 2700K~5000K color temperature. The unique AC module allows slimmed ceiling canopy depth and clean ceiling for pendant mount.

FEATURES and FUNCTIONS

LED Module

- 10 Watt AC LED module with integrated IC designated driver on board of module creating 800 lumens CRI 80+ with 2700K~5000K color temperature, equivalent to 60 watt incandescent, 26watt CFL lamp and 10~100% triac dimmable.
- Recommended for use max. 60 lamps per run of 600W loaded dimmer switches and 30 lamps per dimmer switches 300W loaded.
- Standard is for 120V AC. also available 220V AC.
- Designed circuit to prevent inrush current hurting dimmer switches and module.

Lamp Shade (Option)

- Tamperd frosted glass provided with soft light and even illumination.
- Available in various design and shape(customized)

Electrical Connection

- Standard 6" AWG18 105° rated black and white leads.

Heat Sink

- Aluminun heat sink with mount threads designed to facilitate heat dissipation and easy installation of diffuser

Mounting

- Pendant Mount
- Hanging aircraft cable is standard. Stem rod is available(optional).

Listing

- UL Recognized
- State of California Title 24
- Energy star Approved & Listed

Warranty

- 5years of lamp life.

ORDERING INFORMATION

* Consult with factory for approved dimmers

Housing	CRI	CCT	Aircraft Cable Length	Lamp Shade
LS04-DC 10W	8 80	27 2700K	12 12 Inches	GRL32
	9 90	30 3000K	18 18 Inches	
		40 4000K	24 24 Inches	
		50 5000K	36 36 Inches	
			48 48 Inches	

Example : LS04-DC-830-12

- -