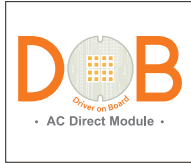


# RFR

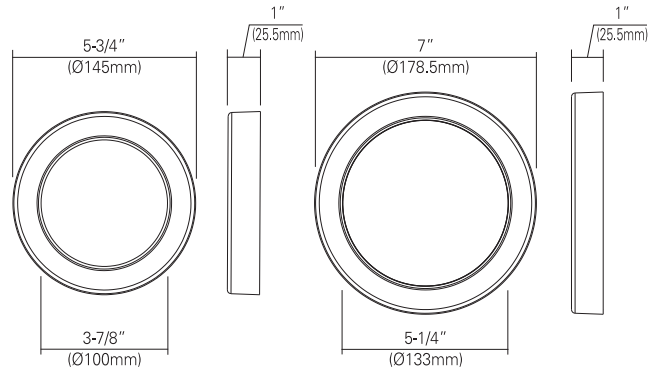
120V, 220V-230V and 277V

5" and 7" LED Flush Mount Ceiling fixture with decorative ring



Catalog #		Type
Project		Date
Prepared by		

## LED



[ RFR5-12 ]

[ RFR7-15 ]

### DESCRIPTION

RFR series accomplish the task of recessed downlight without the time and cost of labor with drywall. It's designed to either use a direct 4" J-Box or allow exiting recessed can to be retrofitted

### SPECIFICATION

HOUSING	RFR5-12	RFR7-15
Wattage (Typ)	12W	15W
Lumen (Typ)	720(90CRI)	900(90CRI)
Efficacy (LPW)	60 lm/W	60 lm/W
Beam Angle	100°	
CRI (Typical)	80, 90	
Color (+/-5%)	2700K, 3000K, 3500K, 4000K, 5000K	
Dimming	Triac(Consult with factory for approved dimmers)	

### FEATURES and FUNCTIONS

- 120V AC LED module with integrated IC chip imbed on board and 10-100% Triac dimming with most of leading and trailing edge dimmer switches in the market.
- Hard gauge metal back plate and the heat sink to facilitate heat dissipation.
- PC diffused lens delivers perfect light distribution.
- 90CRI Standard. Available in 2700K, 3000K, 3500K, 4000K and 5000K.
- Triac dimmable standard.

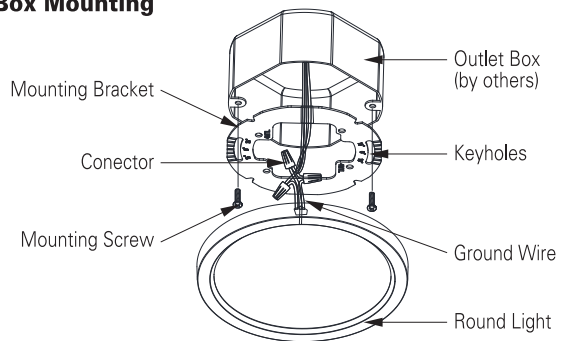
**Listing**

- CSA-us Certified
- Energy star Approved & Listed
- State of california Title 24
- Wet location



**Warranty**

- 5years of lamp life.

**J-Box Mounting**



### ORDERING INFORMATION

Housing	CRI	CCT	Finish	Optional Kit for Recess Mount
RFR5-12 5", 12W	8 80	27 2700K	WH White	<b>4MTL</b> RFR5 kit for 4" Recess cans  <b>5,6MTL</b> RFR7 kit for 5/6" Recess cans 
RFR7-15 7", 15W	9 90	30 3000K	BN Brush Nickel	
		35 3500K		
		40 4000K		
		50 5000K		

\*Consult with factory for custom finishes

Example : RFR5-12-830-WH

-  -