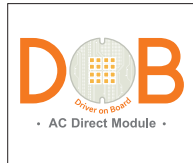


Spotstar

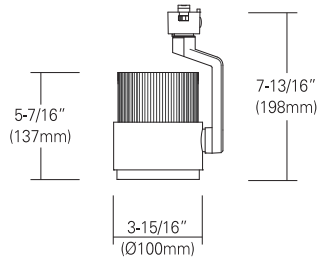
120V, 220V-230V and 277V
LED Track Head Track Lighting



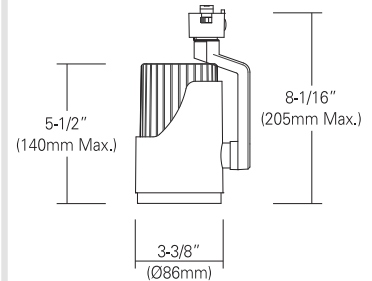
Catalog #		Type
Project		Date
Prepared by		

Track LED

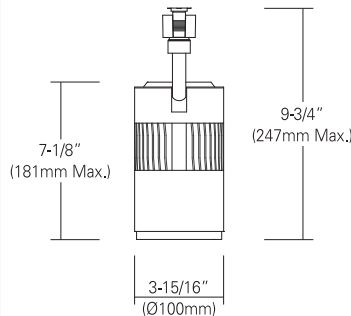
ST-2310



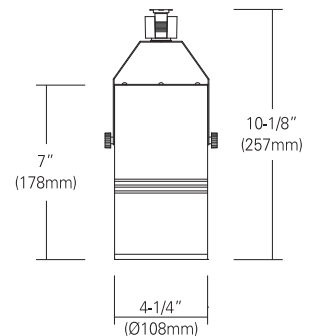
ST-2330



ST-2370



ST-2380



SPECIFICATION

HOUSING	ST-2310		ST-2330			ST-2370			ST-2380	
Wattage (Typ)	15W	20W	15W	20W	30W	15W	20W	30W	15W	20W
Lumen (Typ)	998(90CRI)	1,401(90CRI)	1,064(90CRI)	1,470(90CRI)	2,049(90CRI)	1,001(90CRI)	1,414(90CRI)	2,022(90CRI)	926(90CRI)	1,284(90CRI)
Efficacy (LPW)	66.5 lm/W	70 lm/W	71 lm/W	73.5 lm/W	68.5 lm/W	67 lm/W	71 lm/W	67.5 lm/W	62 lm/W	64 lm/W
Beam Angle	20° / 40°									
CRI (Typical)	80, 90									
Color (+/-5%)	2700K, 3000K, 3500K, 4000K, 5000K									
Dimming	Triac & 0-10V the both(Consult with factory for approved dimmers)									

ORDERING INFORMATION

Housing	Watts	CRI	CCT	Beam Angle	Connector Type	Finish
ST-2310	15 15W	8 80	27 2700K	20 20°	J Juno	WH White
ST-2330	20 20W	9 90	30 3000K	40 40°	H Halo	BK Black
ST-2370	30 30W		35 3500K		C Capri	
ST-2380			40 4000K		L Lightolier	
			50 5000K			

*Consult with factory for custom finishes

Example : STS-2310-15-830-40-J-WH

- - - - -