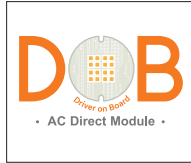


TML3

120V, 220V-230V and 277V
3" LED Recessed Retrofit-Kit



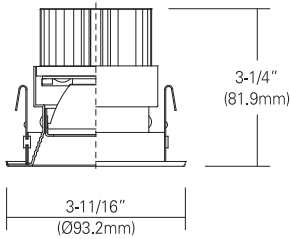
Catalog #		Type
Project		Date
Prepared by		

3" LED

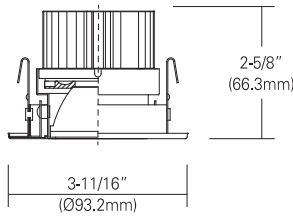


		
TML-3241B Baffle	TML-3241R Reflector	TML-3281 Gimbal

LINE DRAWING



[TML-3241B(R)]



[TML-3281]

SPECIFICATION

Input Voltage	120V and 277V AC	
Wattage (Typ)	10W	
Lumen (Typ)	650 (80CRI)	600 (90CRI)
Efficacy (LPW)	65.5 lm/W	60 lm/W
Compatible Housing	See Housing Compatibility section	
CRI (Typical)	80, 90	
Color (+/-5%)	2700K, 3000K, 4000K, 5000K	
Dimming	Triac or 0-10V(Consult with factory for approved dimmers)	

DESCRIPTION

The TML3 Series Retrofit LED module & trim kit with GU10 adapter for the 3" IC/Airtight and Non-IC incandescent recessed downlight. It's designed for use with most 3" housings classified.

Listing

- CSA-us Certificated
- Energy star Approved & Listed
- State of california Title 24
- Damp location

Warranty

- 5years of lamp life.

FEATURES and FUNCTIONS

- One piece light engine with durable heat sink and LED allowing for installation to different trim piece exchangeable.
- Easy installation to housing by 3 crook clips to be compatible with most of cans.
- Beam changeable optic glass.
- 120V AC LED module with intergrated IC chip imbed on borad.
- Triac dimmable standard.

ORDERING INFORMATION

Engine + Trim	CRI	CCT	Reflector Finish	Baffle Finish	Metal Trim Ring Finish
TML-3241B Baffle	8 80	27 2700K	HC Haze Clear	WH White	WH White
TML-3241R Reflector	9 90	30 3000K	WH White	BK Black	BK Black
TML-3281 Gimbal		40 4000K			
		50 5000K			
			*for TML-3241R	*for TML-3241B	
*Consult with factory for custom finishes					
Example : TML-3241B-830			Example : WH		
[] - []			[]		

HOUSING COMPATIBILITY

3" LED

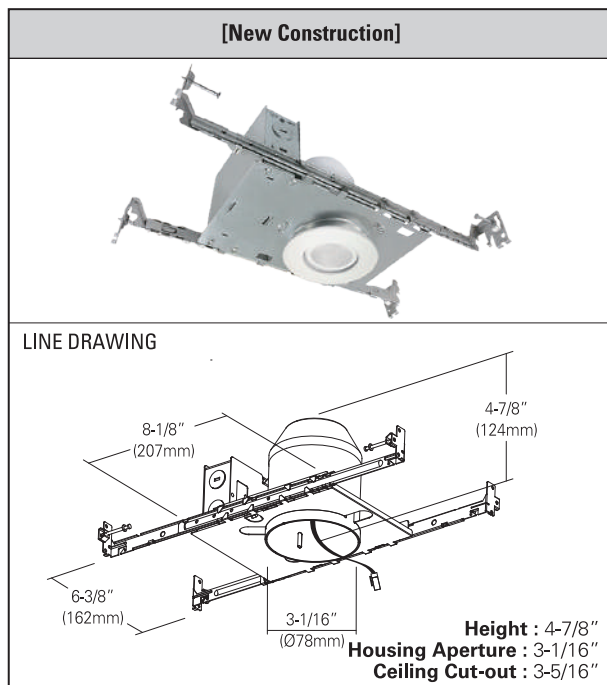
3" Listed for installation in the following Ilslung E26 screw based 3" standard and shallow recessed housings;

- ISLT : DLED-3031, DLED-3031R

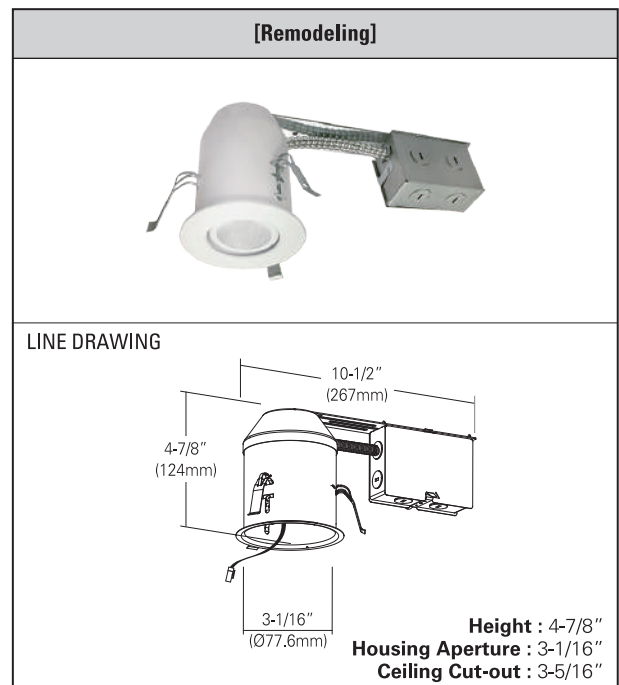
UL 1598 COMPLETE DOWNLIGHT (with hard wiring)

* Sell Separately

Housing# : DLED-3031



Housing# : DLED-3031R



Applications: For use in insulated ceilings and can be installed in direct contact with insulation.
 - Combine with most of ISLT's 3" LED Retrofit-Kit models.