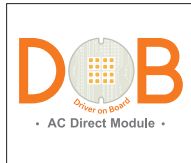


TML4

120V, 220V-230V and 277V

4" LED Recessed Retrofit-Kit

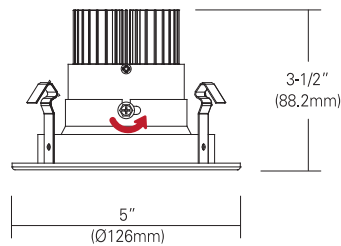


Catalog #		Type
Project		Date
Prepared by		

4" LED



LINE DRAWING



Ceiling Cut-out : 5"

SPECIFICATION

Input Voltage	120V and 277V AC	
Wattage (Typ)	10W	
Lumen (Typ)	800 (80CRI)	700 (90CRI)
Efficacy (LPW)	80 lm/W	70 lm/W
Compatible Housing	See Housing Compatibility section	
CRI (Typical)	80, 90	
Color (+/-5%)	2700K, 3000K, 4000K, 5000K	
Dimming	Triac or 0-10V(Consult with factory for approved dimmers)	

DESCRIPTION

The TML4 Series Retrofit LED module&trim kit with E26 medium screw base for the 4" IC/Airtight and Non-IC incandescent recessed downlight and GU24 adaptor for CFL housing. It's designed for use with most 4" housings classified.

Listing

- CSA-us Certificated
- Energy star Approved & Listed
- Wet location (for TML-215)
- State of California Title 24
- Damp location

Warranty

- 5years of lamp life.

FEATURES and FUNCTIONS

- One piece light engine with durable heat sink and LED allowing for installation to different trim piece exchangeable.
- Easy installation to housing by 3 crook clips to be compatible with most of cans.
- Beam changeable optic glass.
- 120V AC LED module with integrated IC chip imbed on board.
- E26 adaptor is standard, optionally available in GU24 adaptor.
- Triac dimmable standard.

ORDERING INFORMATION

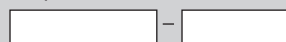
Housing	CRI	CCT	Beam Angle	Trim	Reflector Finish	Baffle Finish	Metal Trim Ring Finish
TML4 4", 10W	8 80	27 2700K	N Narrow	TML-24B Baffle	HC Haze Clear	WH White	WH White
	9 90	30 3000K	W Wide	TML-24R Reflector	WH White	BK Black	BK Black
		40 4000K		TML-28 Gimbal			
		50 5000K		TML-84E Eyeball			
				TML-215 Lens	*for TML-24R	*for TML-24B	

*Consult with factory for custom finishes

Example : TML4-830-W



Example : TML-24B-WH



HOUSING COMPATIBILITY

4" LED

4" Listed for installation in the following Ilslung E26 screw based 4" standard and shallow recessed housings;

- **ISLT** : DL-104, DL-104R, IC-104, ICF-104A-GU24, ICF-104RA-GU24 (GU24 base adapter only)

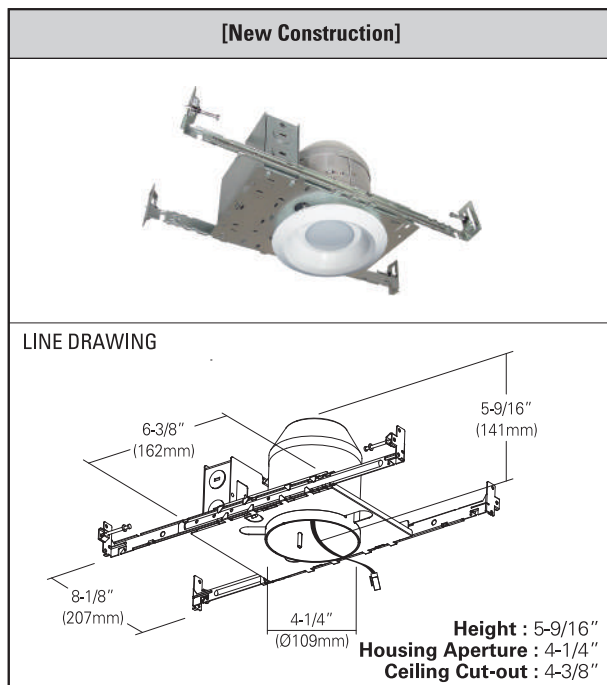
Classified for retrofit in the following 4" recessed housing;

- **H a l o** : H99T, H99RT, H99ICT
- **All-Pro** : ET400, ET400R, ET400AT
- **J u n o** : TC1, TC1R, IC1P
- **Capril** : R4, RR4, R4ASIC
- **Lithonia** : L3, L3R
- **Thomas** : PS4, PS4RM, PS4ASIC

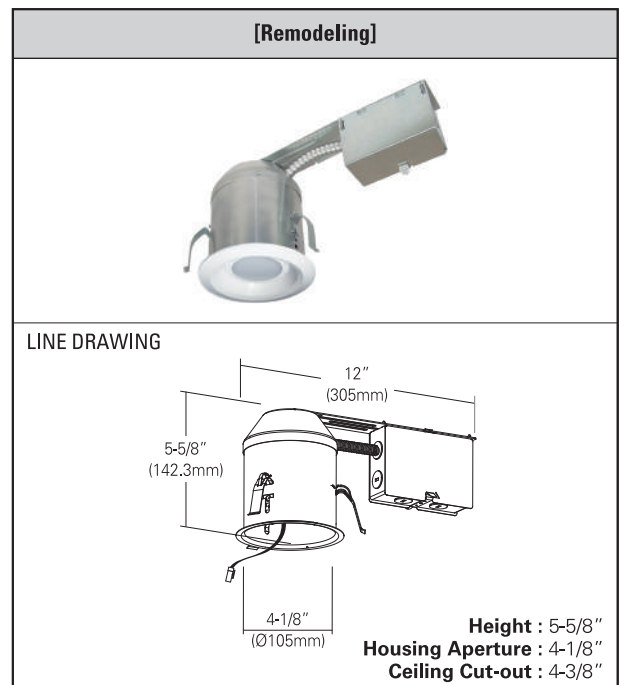
UL 1598 COMPLETE DOWNLIGHT (with hard wiring)

* Sell Separately

Housing# : ICED-104



Housing# : ICED-104R



Applications: For use in insulated ceilings and can be installed in direct contact with insulation.
 - Combine with most of ISLT's 4" LED Retrofit-Kit models.