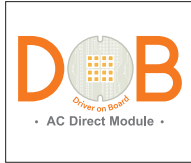


# TMS126

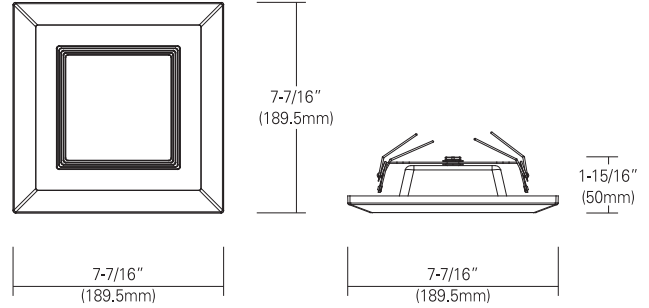
120V, 220V-230V and 277V

6" LED Recessed Square Retrofit-Kit



Catalog #		Type
Project		Date
Prepared by		

**6" LED**



### DESCRIPTION

The 6" Square with low profile recessed retrofit LED module & trim kit with E26 medium screw base for the 6" IC/Airtight and Non-IC incandescent recessed downlight and GU24 adaptor for CFL housing. It's designed for use with most 6" housings classified.

### SPECIFICATION

Input Voltage	120V and 277V AC
Wattage (Typ)	<b>15W</b>
Lumen (Typ)	1,000 (90CRI)
Efficacy (LPW)	66.5 lm/W
Compatible Housing	See Housing Compatibility section
CRI (Typical)	80, 90
Color (+/-5%)	2700K, 3000K, 4000K, 5000K
Dimming	Triac or 0-10V(Consult with factory for approved dimmers)

### FEATURES and FUNCTIONS

- One piece light engine intergrated with durable die cast housing.
- Easy installation to housing by 3 crook clips to be compatible with most of cans.
- Heat treated frosted glass diffuse provides a soft, luminous glow.
- 120V AC LED module with intergrated IC chip imbed on borad.
- E26 adaptor is standard, optionally available in GU24 adaptor.
- Triac dimmable standard.

#### Listing

- CSA-us Certificated
- State of california Title 24
- Energy star Approved & Listed
- Damp location

#### Warranty

- 5years of lamp life.

### ORDERING INFORMATION

Housing	CRI	CCT	Finish
TMS126 6" LED Square Retrofit 15W	8 80	27 2700K	WH White
	9 90	30 3000K	
		40 4000K	
		50 5000K	

\*Consult with factory for custom finishes

Example : TMS126-830-WH

-  -

# HOUSING COMPATIBILITY

5" & 6" LED

**5" & 6" Listed for installation in the following Ilslung E26 screw based 5" and 6" standard and shallow recessed housings;**

- **ISLT 5"** : IC-205, IC-205R, DL-205, DL-205R
- **ISLT 6"** : IC-206, IC-206R, DL-106, DL-106R, Shallow: IC-406, IC-406R, DL-406, DL-406R, ICF-106A-GU24, ICF-106RAT-GU24 (GU24 base adapter only)

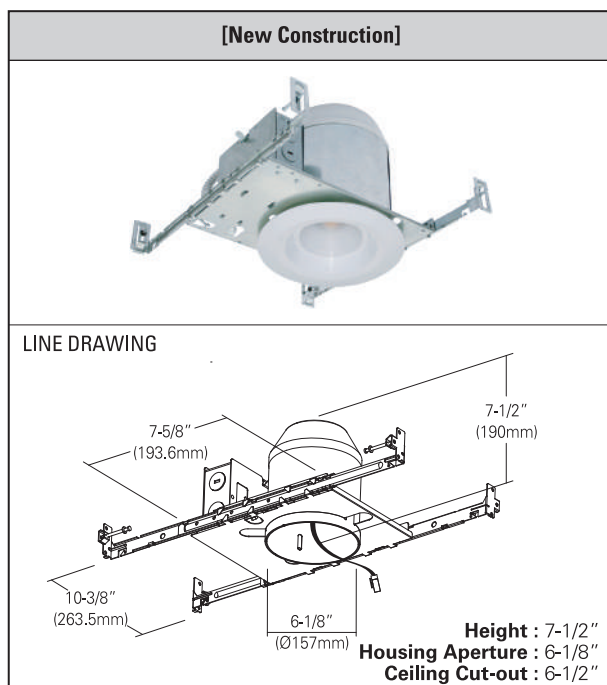
**Classified for retrofit in the following 5" and 6" recessed housing;**

- **H a l o**
  - 5" : H5ICAT, H5RICAT, H5T, H5RT, H25ICAT
  - 6" : H7ICAT, H7RICAT, H7ICT, H7RICT, H7ICATNB, H7ICTNB, H7T, H7RT, H7TNB, H7TCP, H7UICAT, H7UICAT, H27ICAT, H27RICAT, H27ICT, H27RICT, H27T, H27RT
- **All-Pro**
  - 5" : 500AT, EI500RAT, ET500, ET500R
  - 6" : EI700AT, EI700RAT, E700ATNB, EI700, EI700R, EI700ATNB, EI700NB, ET700, ET700R, EI700U, EI700UAT, E2700AT, EI2700, EI2700R, ET2700, ET2700R
- **Juno**
  - 5" : IC25, IC25R, IC25W, IC25S
  - 6" : IC22, IC22R, IC22W, IC22S, IC23, IC23W, IC21, IC21R, TC2, TC2R, IC20, IC20R, TC20, TC20R
- **Capril** : CR1, PR1, QL1, R9ASIC
- **Lithonia** : L7X, L7XP
- **Thomas** : PS1, R9ASIC/PS9RM
- **Prescolite** : IBXS

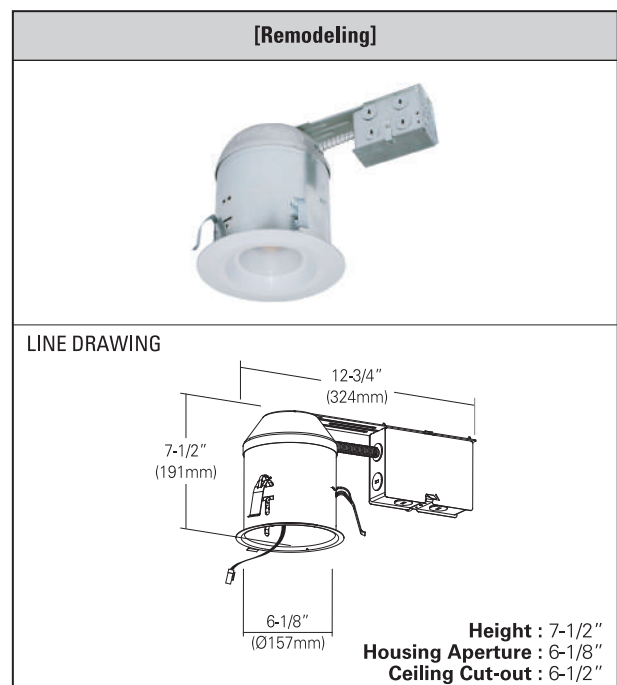
## UL 1598 COMPLETE DOWNLIGHT (with hard wiring)

\* Sell Separately

Housing# : ICED-706



Housing# : ICED-706R



**Applications:** For use in insulated ceilings and can be installed in direct contact with insulation.  
- Combine with most of ISLT's 6" LED Retrofit-Kit models.