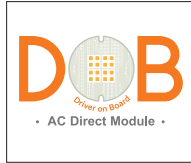


# WFR

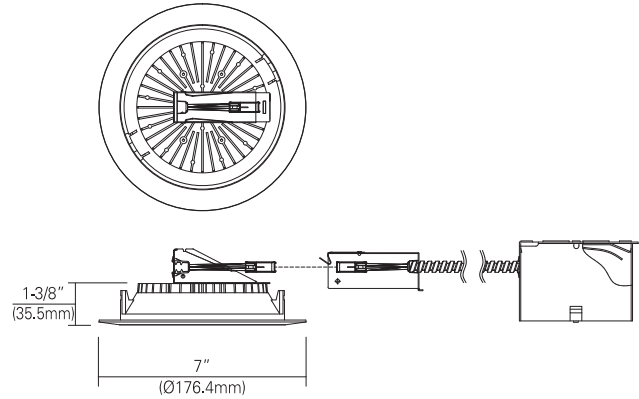
120V, 220V-230V and 277V

LED Slim Profile Recessed Downlight



Catalog #		Type
Project		Date
Prepared by		

## LED



### DESCRIPTION

WFR is a versatile LED down light solution. Slim profile design with integrated LED module allow for an flexible mounting options. Installation is a remote J-Box with removal door and linkable connector cable - there is no need for a j-box or recessed housing. The simple spring-loaded retention tabs securely hold each downlight snug to the ceiling. It is perfect for use in tight plenums, hallways, bathrooms, basements, entry ways, porches, and many other areas around a home or multifamily development.

### SPECIFICATION

Input Voltage	120V and 277V AC	
HOUSING	<b>WFR4</b>	<b>WFR6</b>
Wattage (Typ)	10W	15W
Lumen (Typ)	650 (80CRI)	900 (80CRI)
Efficacy (LPW)	65 lm/W	60 lm/W
Compatible Housing	See Housing Compatibility section	
C R I (Typical)	80, 90	
Color (+/-5%)	2700K, 3000K, 4000K	
Dimming	Triac or 0-10V	

### FEATURES and FUNCTION

- Thermo-plastic structure housing allowing dissipating the heat on LED.
- 120V AC LED module with intergarted IC chip imbed on board.
- Simple installation with hinged, off-board junction box, poke-in connectors, and linkable connector cable.
- Spring-loaded retention tabs hold downlight snug to ceiling surface
- IC rated, suitable for direct contact with insulation Lens.
- Frosted acrylic lens diffuses glare and maximizes output.
- 110° Beam angle.
- Triac dimmable standard.

#### Listing

- cCSA-us Certificated
- State of california Title 24
- Energy star Approved & Listed
- Wet location

#### Warranty

- 5years of lamp life.

### ORDERING INFORMATION

**\* Consult with factory for approved dimmers**

Housing	CRI	CCT
<b>WFR4</b> 4", 10W	<b>8</b> 80	<b>27</b> 2700K
<b>WFR6</b> 6", 15W	<b>9</b> 90	<b>30</b> 3000K
		<b>40</b> 4000K

Example : WFR4-830

-