

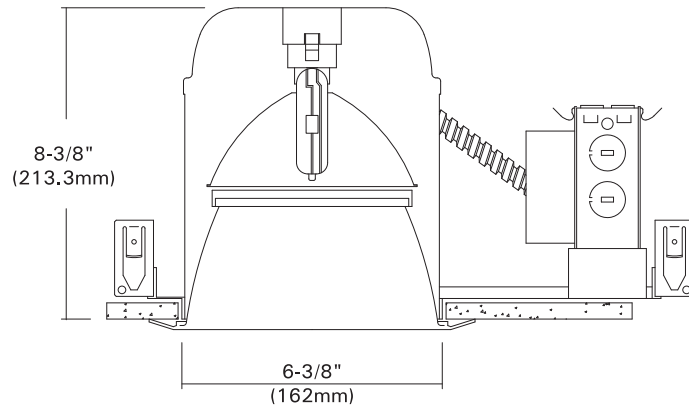
# DL-6600TH

## 6" Housing For

### T6 CMH Lamp

Catalog #		Type
Project		Date
Prepared by		

#### METAL HALIDE



#### DESCRIPTION

The DL-6600TH is a 6" aperture housing for T6 G12 base with upper reflectors for various beam spreads for general and task lighting. A vertical T6(G12 base) ceramic metal halide lamp, provided electronic ballast on J-box

#### DESIGN FEATURES

##### ◦ Housing

- C-UL listed, NON-IC, round steel housing for vertical T6 G12 base ceramic metal halide lamps.
- Housing adjust for ceiling up to 1-3/4" thickness.

##### ◦ Junction Box

- Listed for through branch circuit wiring. (Max. 8 No 12 AWG 90°C branch circuit conductors. (4 in, 4 out)
- (5) 1/2" knockouts with true pry-out slots and (4) knockouts with Romex cable clamp.
- Ground wire provided on J-box.

##### ◦ Bar Hangers

- Maximum extension by 24" allows excess distance between joists.
- Housing can be positioned at any point within 24" joist span.
- Score lines allow "toolless" shortening for 12" joists bar hangers may be repositioned 90°.
- Integral T-bar clips snaps onto T-bars and no additional clips are required.

##### ◦ Upper Reflector

- Clear anodized high quality aluminum.
- Changeable reflector for narrow, medium & wide beam spreads.

##### ◦ Lower Reflectors

- Anodized clear, gold, champagne, pewter color finished aluminum.

##### ◦ Trim Ring

- White steel ring or plated chrome, satin nickel, natural steel color ring.

##### ◦ Socket

- G12 base for T6 lamp.

##### ◦ Lamp Shield

- High heat tempered glass shield with clear or frosted lens captive in reflector aperture.

##### ◦ Electronic Ballast

- 120 and 277 volts for 50/60Hz operation high power factor, class A sound rated.

##### ◦ Thermal Protector

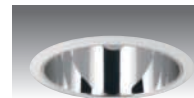
- Self resetting thermal detector on J-box deactivates fixture if overheating occurs due to improper lamping or mis-applied insulation.
- Install varied detectors according to input voltages.

##### \* Listing

- UL, c-UL listed for damp location.
- UL, c-UL listed for feed through.

Ceiling Cut-out : 6-1/2"  
Lamp, Max, Watt. : 100W T6

#### Trims



TM-239R-HC

##### TM-239F TM-239RF

Haze Clear Reflector  
w/ Regressed Lens  
Metal Halide T4.5 lamps

White Metal Trim Ring  
O.D : 7-7/8"

\*Symbol (RF) is for Self-flange



TM-236B-WH

##### TM-236B

Baffle w/ Fresnel Lens  
Metal Halide T4.5 lamps

White Metal Trim Ring  
O.D : 7-7/8"



TM-238-HC

##### TM-238

Haze Clear Reflector  
w/ Frosted Drop Lens

White Metal Trim Ring  
O.D : 7-7/8"

#### Ordering Information

Housing	Ballast	Lamp	Voltage	Beam Angle
DL-6600TH	E : Electronic	39 : 39W 70 : 70W 100 : 100W	-Blank : 120V -27 : 277V	-S : Pin Spot (10 degree) -N : Narrow Spot beam (12 degree) -M : Medium Spread beam (25 degree) -W : Wide Flood (46 degree)

Example : DL-6600TH-E70-27

Example : TM-239R-HC-WH-S